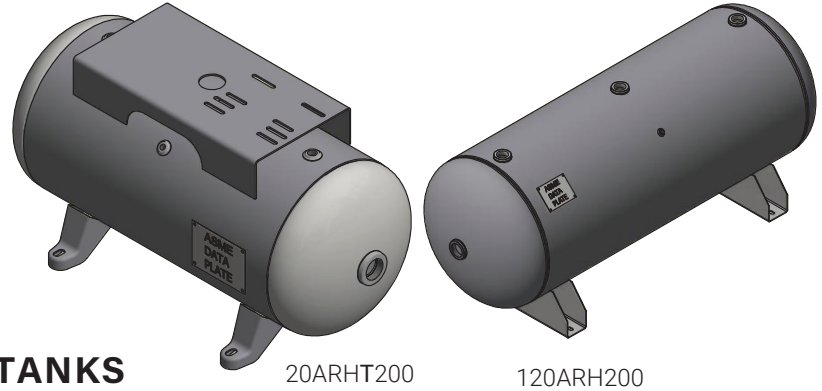


- ASME Section VIII Div 1 "U" stamp standard
- 12" x 16" Manway furnished on 42" diameter tanks and larger
- Lifting lugs furnished on 36" diameter tanks and larger
- Most models in stock
- Typical lead time for non stock items 3-4 weeks



SMALL HORIZONTAL AIR RECEIVER TANKS

PART NUMBER	GALLON	PRESSURE	DIAMETER (IN)	LENGTH (IN)	SYSTEM CONNECTION SIZE	SUPPORTS	WEIGHT (LBS)
12ARH200	12	200	12	27	3/4" NPT	Feet	34
12ARH300	12	300	12	27	3/4" NPT	Feet	40
12ARHT200	12	200	12	27	3/4" NPT	Feet, 9" x 15" top plate	43
20ARH200	20	200	14	33	1 1/2" NPT	Feet	54
20ARH300	20	300	14	33	1 1/2" NPT	Feet	68
20ARHT200	20	200	14	33	1 1/2" NPT	Feet, 10" x 19" top plate	63
30ARHT200F	30	200	16	38	1 1/2" NPT	Feet, 16" x 38" top plate	147
30ARH200	30	200	16	38	1 1/2" NPT	Saddle legs	79
30ARH300	30	300	16	38	1 1/2" NPT	Saddle legs	115
30ARHT200	30	200	16	38	1 1/2" NPT	Saddle legs, 12" x 24" top plate	99
30ARHET200	30	200	16	38	1 1/2" NPT	Saddle legs, 12" x 40" extended top plate	132
60ARH200	60	200	20	48	2" NPT	Saddle legs	162
60ARH300	60	300	20	48	2" NPT	Saddle legs	205
60ARHT200	60	200	20	48	2" NPT	Saddle legs, 14" x 30" top plate	196
60ARHET200	60	200	20	48	2" NPT	Saddle legs, 16" x 50" extended top plate	246
80ARH200	80	200	20	63	2" NPT	Saddle legs	207
80ARH300	80	300	20	63	2" NPT	Saddle legs	220
80ARHT200	80	200	20	63	2" NPT	Saddle legs, 12" x 34" top plate	248
80ARHET200	80	200	20	63	2" NPT	Saddle legs, 16" x 66" extended top plate	322
120ARH200	120	200	24	67	2" NPT	Saddle legs	316
120ARHT200	120	200	24	67	2" NPT	Saddle legs, 18" x 44" top plate	383
120ARHET200	120	200	24	67	2" NPT	Saddle legs, 16" x 74" extended top plate	437

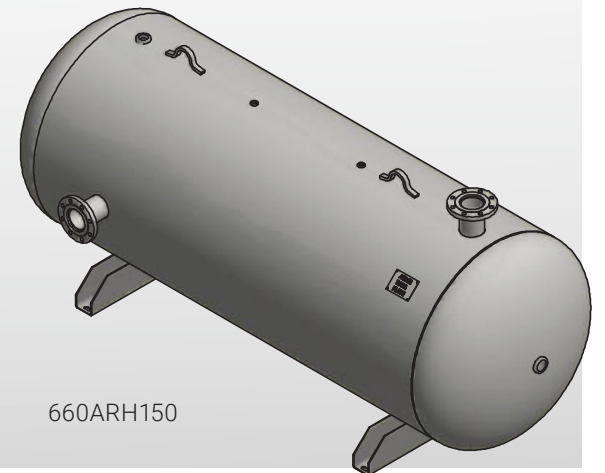
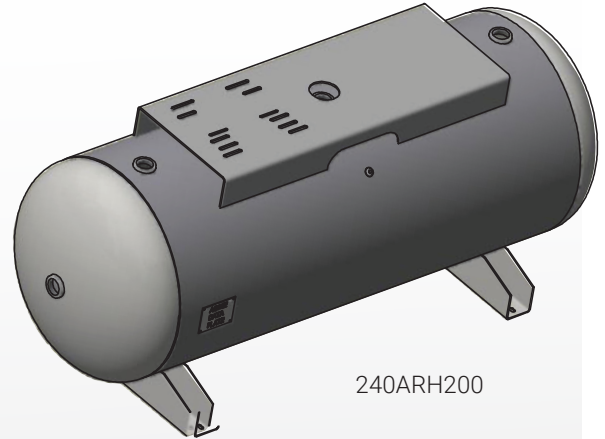
* DRAWINGS AVAILABLE UPON REQUEST

MEDIUM TO LARGE HORIZONTAL AIR RECEIVER TANKS

PART NUMBER	GALLON	PRESSURE	DIAMETER (IN)	LENGTH (IN)	SYSTEM CONNECTION SIZE	SUPPORTS	WEIGHT (LBS)
200ARH200	200	200	30	72	2" NPT	Saddle legs	473
200ARHT200	200	200	30	72	2" NPT	Saddle legs, 18" x 44" top plate	547
200ARHET200	200	200	30	72	2" NPT	Saddle legs, 18" x 86" extended top plate	684
240ARH200	240	200	30	84	2" NPT	Saddle legs	542
240ARHT200	240	200	30	84	2" NPT	Saddle legs, 18" x 48" top plate	622
240ARHET200	240	200	30	84	2" NPT	Saddle legs, 18" x 96" extended top plate	837
400ARH165	400	165	36	93	3" NPT	Saddle legs	696
400ARH200	400	200	36	93	3" NPT	Saddle legs	890
500ARH165	500	165	36	117	3" NPT	Saddle legs	944
500ARH200	500	200	36	117	3" NPT	Saddle legs	1092
660ARH150	660	150	42	120	4" Flanges	Saddle legs	1400
660ARH200	660	200	42	120	4" Flanges	Saddle legs	1671
1060ARH155	1060	155	48	144	6" Flanges	Saddle legs	1966
1060ARH200	1060	200	48	144	6" Flanges	Saddle legs	2710
1550ARH165	1550	165	54	166	6" Flanges	Saddle legs	3020
2000ARH150	2000	150	60	174	6" Flanges	Saddle legs	3516
2560ARH150	2560	150	60	220	6" Flanges	Saddle legs	4301

*** DRAWINGS AVAILABLE UPON REQUEST**

- Pressures up to 3000 PSI built to order
- Additional codes and standards available:
 - ASME Section VIII Div 2 (U2 Stamp), ABS, Algerian, AS1210, CRN, CE/PED, DOSH, DNV, GOST/TRCU, Hazardous Material Regulations (DOT), Lloyds, MHWL, MOM, NR13, SELO, USCG
- Exterior Coatings:
 - Powder Coat (standard colors include: Gray, White, Black and Blue)
 - Epoxy (epoxy with semi-gloss polyurethane finish. standard colors include: gray, white, black and blue with other colors available upon request)
- Interior Coatings:
 - Powder Coat
 - Epoxy
 - NSF & FDA approved coatings
- Custom Sizes are available upon request Tank Diameters from 4" to 192"
- Full vacuum designs available



ACCESSORIES AVAILABLE

- Safety Relief Device
- Pressure Gauge
- Drain
- Kit: Includes Safety Relief Device and Pressure Gauge

